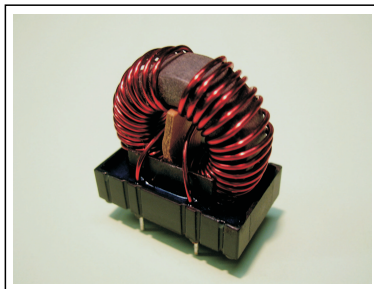


CCST-6231-0139

Compensated Choke

Kompensierte Drossel



COMPLIANT
ENTSPRECHEN



MECHANICAL DIMENSIONS / MECHANISCHE DIMENSIONEN

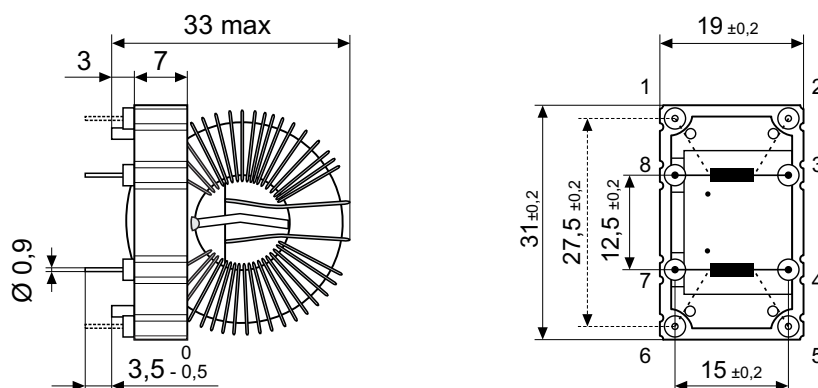


DIAGRAM / SCHEMA



FEATURES / EIGENSCHAFTEN

Climatic Class Klimaklasse	25/100/21 as per IEC 60068-1
Inflammability Brennbarkeit	UL 94 V-0
Current Derating Stromrücknahme	over 40°C: $I = I_N * \sqrt{(100 - \theta a) / 60}$
L_N Measured L_N Gemessen	according to EN 60938-2
R_{Cu} Measured R_{Cu} Gemessen	at 25 °C ambient temperature

ELECTRICAL DATA / ELEKTRISCHE WERTE

Operating Voltage / Betriebsspannung	$U_R = 440$ (max)	VAC
Current / Strom	$I_N = 1$	A
Inductance / Induktivität	$L_N = 2 \times 39 - 30\% + 50\%$	mH
Cu-Resistance / Cu-Widerstand	$R_{Cu} = 2 \times 690 \pm 10\%$	mΩ
Power dissipation / Verlustleistung	$P_{Loss} = 1400$	mW
Test voltage / Prüf-Spannung	$U = 1800 / 2$ sec.	VAC
Res. Frequency / Res. Frequenz	$f_{res.} = 0.08$ (approx)	MHz

Compensated Choke Kompensierte Drossel	TECHNICAL DATA SHEET TECHNISCHES DATENBLATT	Part no. CCST-6231-0139	Tot. fogli/sheet : 1 Foglio/sheet nr. : 1
---	--	----------------------------	--